



INFLIGHT FITNESS

CT-MHP

## Multi-Hip/Glute

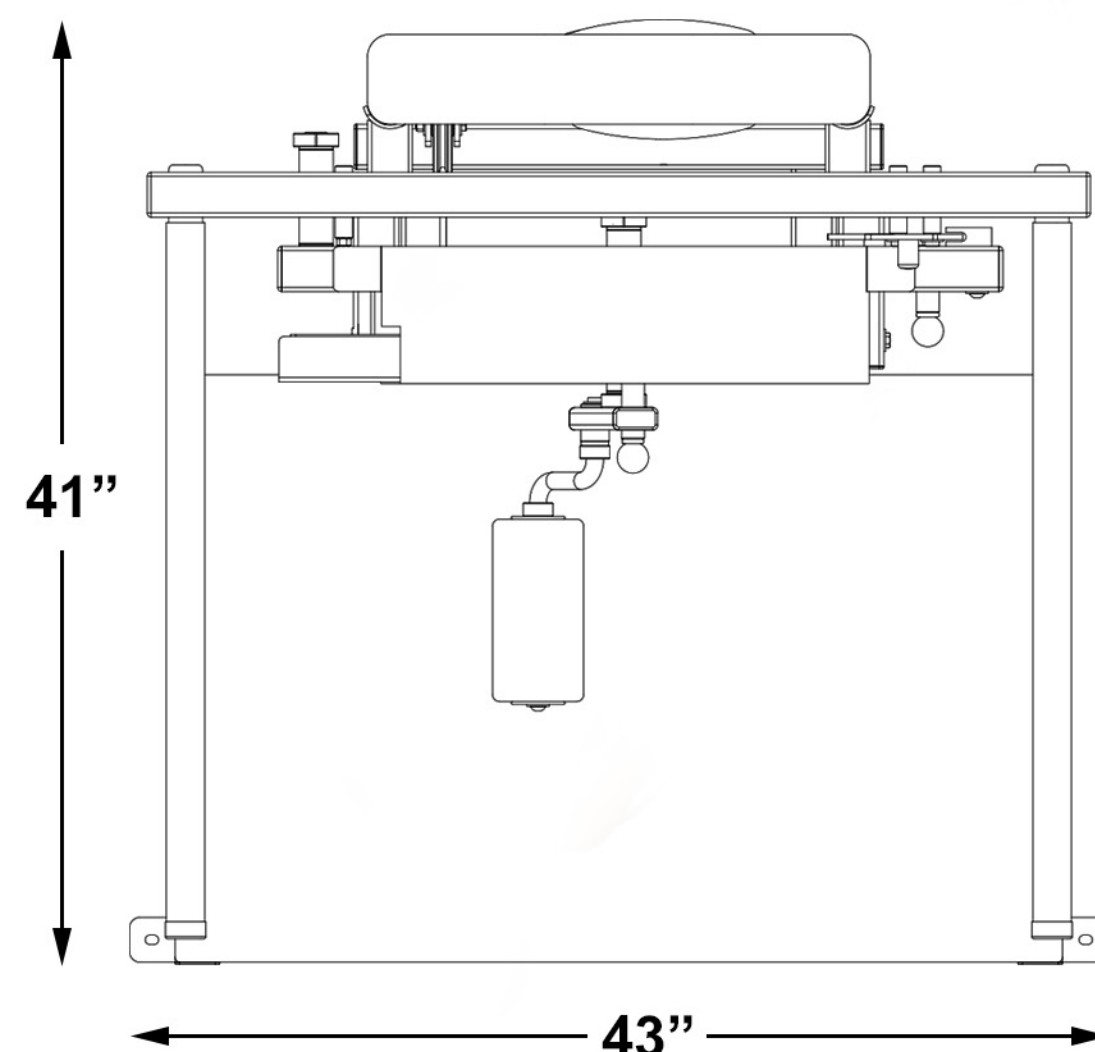


### STANDARD FEATURES

- ✓ Pad adjusts to seven different settings for hip extension and flexion movements.
- ✓ Easily adjustable thigh pad accommodates a variety of height differences.
- ✓ Dual rubber grip handles for stability and proper positioning.
- ✓ Non-skid platform.
- ✓ Easy access weight stack and space saving design.

### OPTIONAL FEATURES

- ✓ Steel shrouds powder coated and clear coated for a mar resistant lustrous finish.
- ✓ Standard 150lb. weight stack is upgradeable to 225lbs.



Visit [www.inflightfitness.com](http://www.inflightfitness.com) to see our entire line of exercise equipment.

Lifetime limited warranty on frame, welds and weights; one year on cables and moving parts. See warranty for details.