



INFLIGHT FITNESS

CT-MLP

Multi-Leg Press

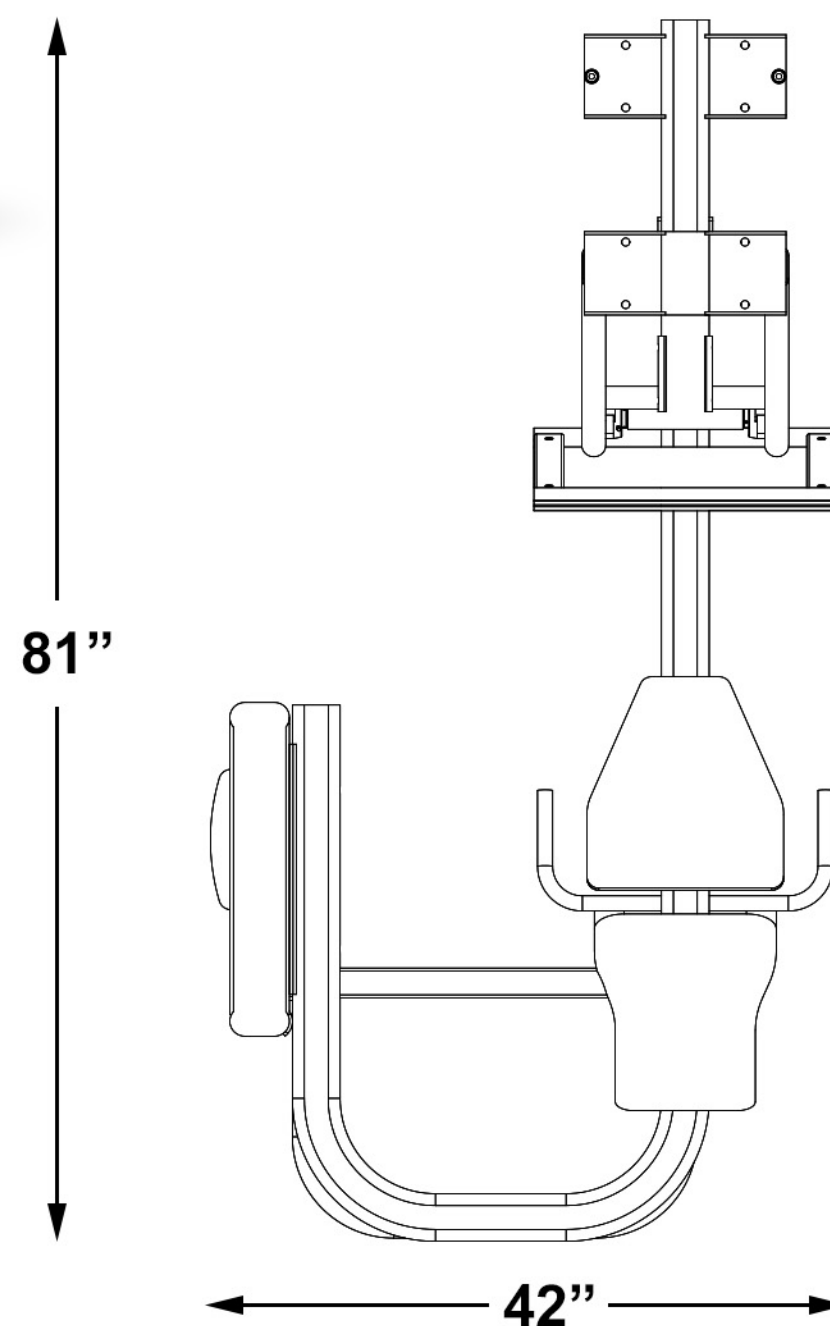


STANDARD FEATURES

- ✓ One-inch shafts and ball bearings at every pivot.
- ✓ Eight seat positions.
- ✓ Large non-skid footplate.

OPTIONAL FEATURES

- ✓ Steel shrouds powder coated and clear coated for a mar resistant lustrous finish.
- ✓ Standard 200 lb. tiered weight stack is upgradeable in 50 lb. increments to 300 lbs.



Visit www.inflightfitness.com to see our entire line of exercise equipment.

Lifetime limited warranty on frame, welds and weights; one year on cables and moving parts. See warranty for details.